

## Outdoor Comfort Heater

**CALIBER**<sup>™</sup>  
APPLIANCES 



### Features/Specifications

- Powerful 35,000 BTU ceramic infrared burner provides warmth up to a 10' reach\*
- Electronic spark ignition with 100% safety shutoff
- Quality 304 type Stainless Steel mounting brackets and hardware included
- Heater may be mounted horizontally or up to 30° from horizontal
- Easy-use control remote included
- Appealing low profile architectural faceplate is seamlessly welded
- The heater is crafted from commercial grade #304 Stainless Steel for outdoor use
- Available for use with LP or NG gas - may also be converted in either gas on site
- Heater Model #'s: CH48L/N (LP or NG Gas)

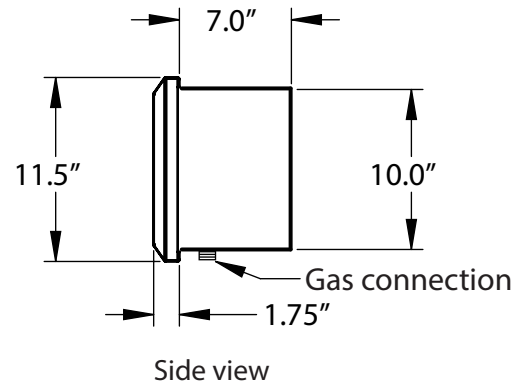
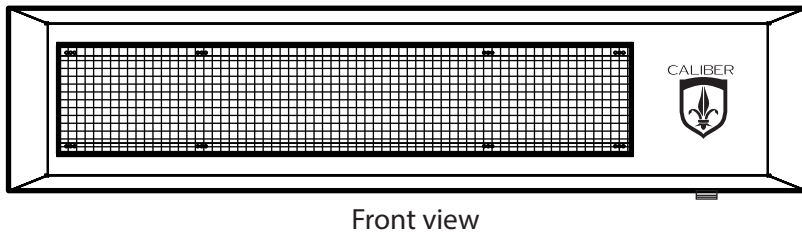
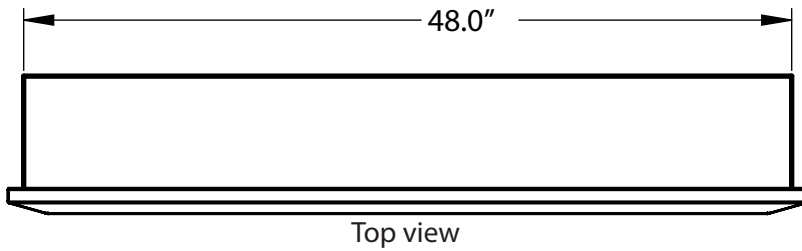
\*Area warmed by the Caliber Comfort Heater will vary depending on how well protected or open to breezes the area to be warmed is

FOR MORE INFORMATION, VISIT OUR WEBSITE: [CALIBERAPPLIANCES.COM](http://CALIBERAPPLIANCES.COM)

Made in USA

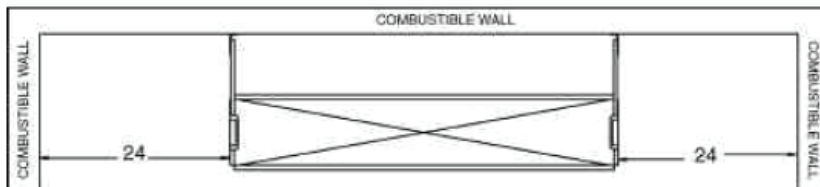


### Product Dimensions

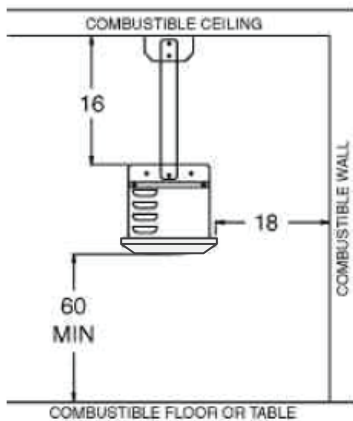


### Heater Installation Clearance Dimensions

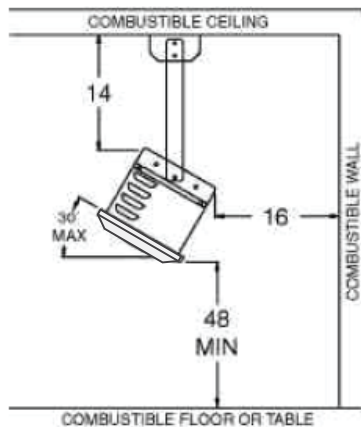
DISTANCE TO COMBUSTIBLES  
OVERHEAD VIEW



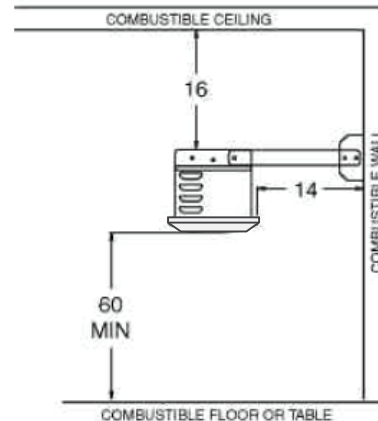
DISTANCE TO COMBUSTIBLES  
ZERO DEGREE CEILING INSTALLATION



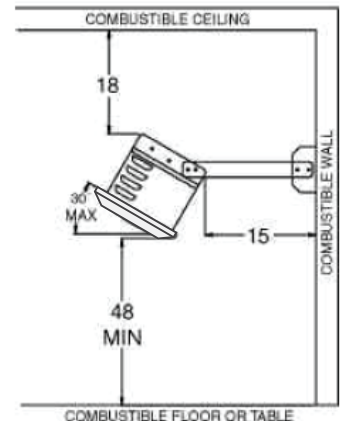
DISTANCE TO COMBUSTIBLES  
THIRTY DEGREE CEILING INSTALLATION



DISTANCE TO COMBUSTIBLES  
ZERO DEGREE WALL INSTALLATION



DISTANCE TO COMBUSTIBLES  
THIRTY DEGREE WALL INSTALLATION



Important! Gas fittings, regulator, and installer supplied shut off valves must be easily accessible